

## Fire alarm bell



### ◇ MODULAR ALARM BELLS

Basic bell mounting plate to meet installation requirements.

### ◇ LOW POWER CONSUMPTION

Enables using bell in sufficient quantity for uniform distribution.

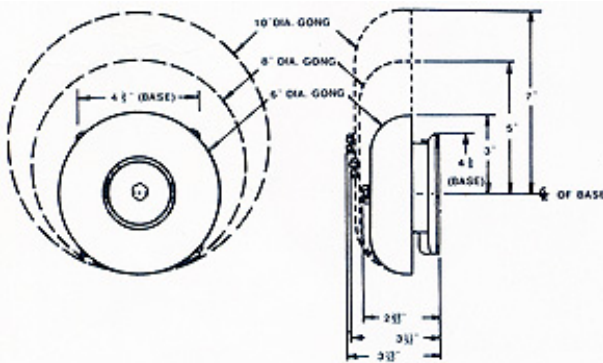
### ◇ UNIVERSAL APPLICATION

Available in five DC voltages for polarized circuits, six AC voltages and three gong sizes 6", 8", and 10" for use with most alarm systems.

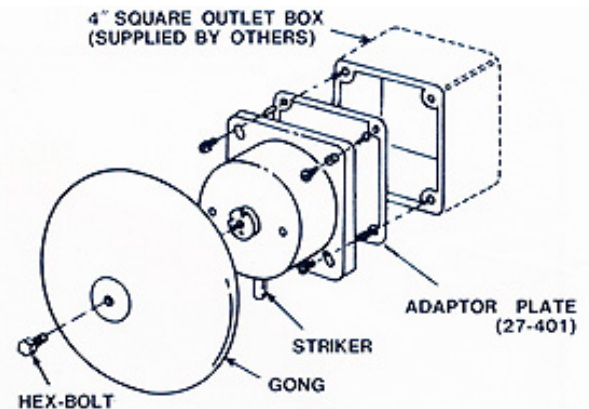
## INSTALLATION NOTE /

1. Remove a gong.
2. Wire the bell in the circuit.
3. Mount bell mechanism on 4" square standard outlet box with the striker facing down.
4. Remove a gong.
5. The bell must be mounted a minimum of 8ft., above the floor, or, as close to the ceiling as possible.
6. Polarized bell provides Red(-) and Black(-) lead wires. When you install the bell, must be observed the polarity.

## BASIC MECHANISM AND GONGS /



## SEMI-FLUSH INSTALLATION /



## AUDIBILITY RATING (dB at 10FT) /

MODEL	RATING	6" CONG SIZE		8" CONG SIZE		10" CONG SIZE	
	VOLTAGE	Rated Current	Sound level AT 10 FT db	Rated Current	Sound level AT 10 FT db	Rated Current	Sound level AT 10 FT db
COIL	6VDC	250mA	95	250mA	95	250mA	95
	12VDC	180mA	95	180mA	95	180mA	96
	24VDC	100mA	95	100mA	96	100mA	96
	120VDC	25mA	95	25mA	95	25mA	98
	220VDC	20mA	95	20mA	95	20mA	97

