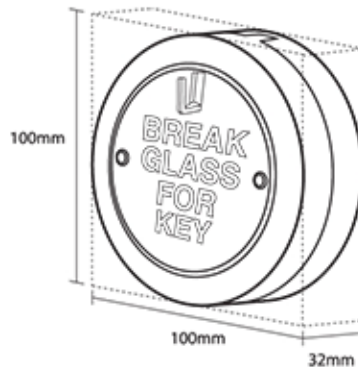


DEMCO

Emergency Key Box D-106



Casing Material
ABS Plastic
Net Weight
D-106: 125g

Feature :

- For Fire Alarm or other application
- Keep key inside and break when there is emergency situation