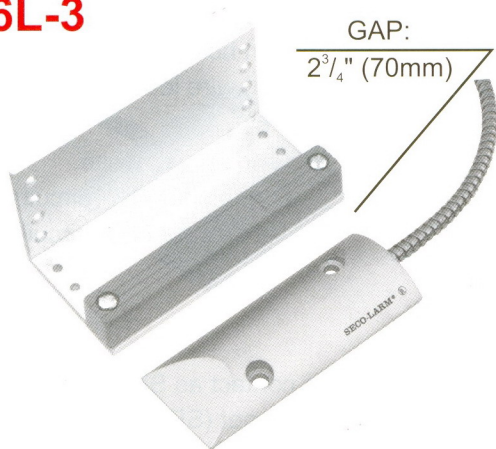


# MAGNETIC CONTACTS – OVERHEAD DOOR & SCREEN

**SM-226L**



**SM-226L-3**

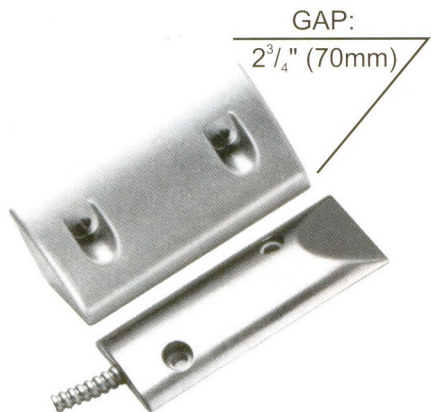


- Switch contained in curved, low-profile, cast-aluminum housing.
- Magnet in gray ABS case mounted on L-shaped bracket.
- 24" (61cm) wire leads enclosed in stainless-steel cable.
- $4\frac{3}{8}$ " x  $1\frac{3}{4}$ " x  $\frac{7}{16}$ " (switch).

**SM-226L** for N.C. circuits.

**SM-226L-3** N.O./N.C. contact.

**SM-226R**



- Switch contained in curved, low-profile, cast-aluminum housing.
- Magnet enclosed in round bracket.
- 24" (61cm) wire leads enclosed in stainless-steel cable.
- For N.C. circuits.
- $4\frac{3}{8}$ " x  $1\frac{3}{4}$ " x  $\frac{7}{16}$ " (switch).