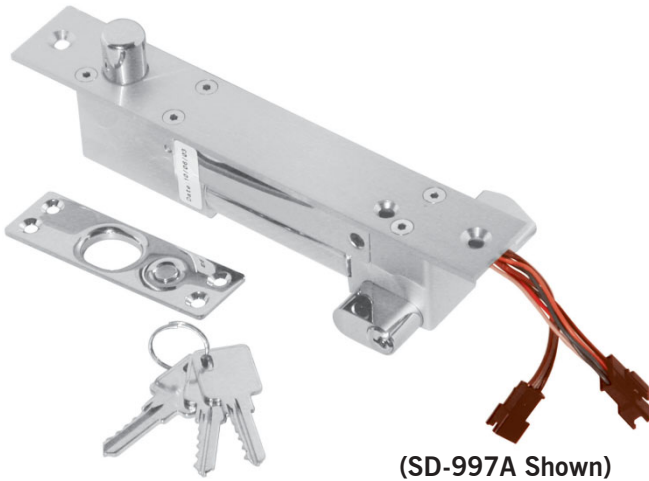


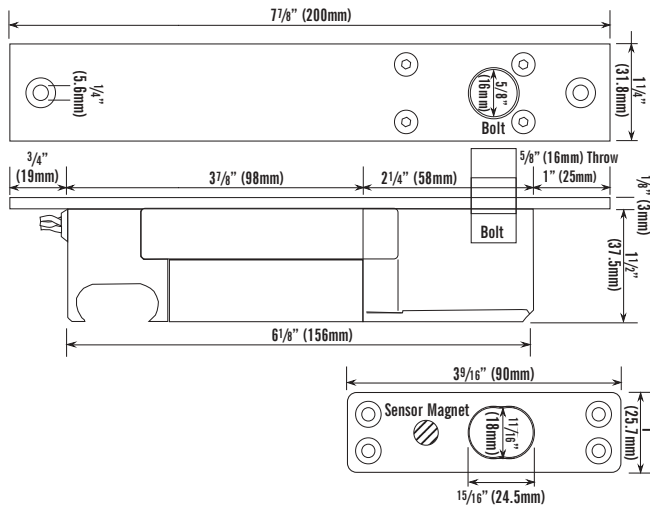
ENFORCER® SERIES ELECTRIC DEADBOLT

- SD-997A** Fail-Secure (Door locked with power disconnected)
- SD-997B** Fail-Safe (Door unlocked with power disconnected)
- SD-997B-24** (for 24VDC Fail Safe applications)



(SD-997A Shown)

DIMENSIONS



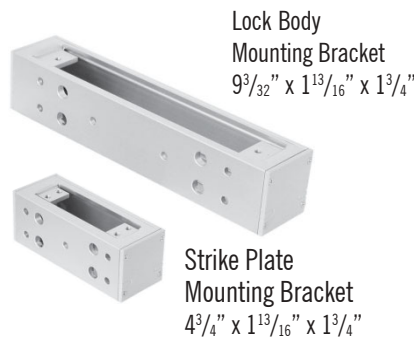
- ▶ Adds concealed deadbolt security to most wood or hollow metal doors, with the added convenience of electrical operation.
- ▶ Door open/close monitor (NO/C/NC).
- ▶ Stainless steel bolt, 5/8" dia., 5/8" throw.
- ▶ Solenoid attempts to lock several times and then shuts down if door not properly close. Once door closed properly will auto-lock.
- ▶ Adjustable door lock delay timer.
- ▶ Includes control wire allows release without cutting unit's power.
- ▶ Magnetic switch determines door position.
- ▶ 1.5-Amp over-current protection.

Specifications:

	SD-997A	SD-997B	SD-997B-24
Operation	Fail-Secure	Fail-Safe	Fail-Safe
Current Draw	Standby: 320mA Activated: 880mA	Standby: 360mA Activated: 900mA	Standby: 170mA Activated: 420mA
Status Sensor	SPDT, 500mA @ 12VDC (N.O./C./N.C.)		SPDT, 250mA @ 24VDC (N.O./C./N.C.)
Operation Voltage	12VDC	12VDC	24VDC
Adjustable Delay Timer	0, 3, 5, 9 sec.s	0, 2.5, 5, 9 sec.s	0, 2.5, 5, 9 sec.s
Weight (approx.)	2lbs., 5oz. (1kg)	1lb., 13oz. (0.82kg.)	1lb., 13oz. (0.82kg.)

- SD-997SMB** Surface-Mount Bracket
- SD-997UB** U-Bracket

- ▶ For surface-mount on the door jamb.
- ▶ Attractive brushed aluminum finish.
- ▶ Use U-Brackets for frameless glass door.



INSTALLATION

