

# SL-126 SERIES STROBE LIGHTS

**SL-126** 6V to 12VDC  
**SL-126-A24** 6V to 24VDC



(SL-126)

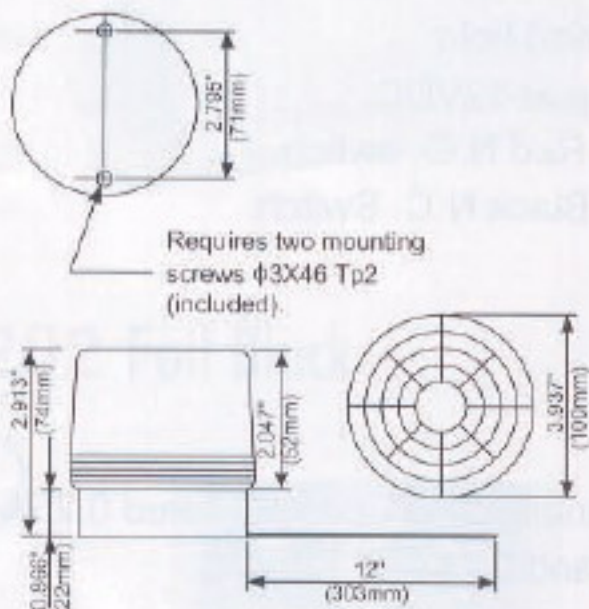
Easy 2-wire connection  
 for 6V to 12VDC or 6V to 24VDC.



The SECO-LARM strobe light comes with a protective inner cover. This protects the high-voltage xenon tube when the colored lens has been removed

- Easy 2-wire installation, regardless of voltage. Also, if the strobe light is being powered by a backup battery, as the battery is drained the strobe light will continue to function.
- Perfect for "informative" household burglar alarm use.
- Incorrect polarity cannot damage circuit or draw current.
- Low current consumption with long operating lifespan of over 300 continuous hours (2,000,000 flashes).
- Choice of amber, blue, clear, or red lens.
- Lens is made of high-impact resistant acrylic, case of high-impact resistant ABS plastic.
- **SL-126** For 6- to 12-Volt use.
- **SL-126-A24** For 6- to 24-Volt use.
- **SL-126L** Extra lens for SL-126, SL-126-A24.

## DIMENSIONS:



## SPECIFICATION:

	SL-126	SL-126-A24
Working Voltage	6-12VDC	6-24VDC
Input Current	200mA +/- 20% @ 12VDC	150mA +/- 20% @ 24VDC
Flash Rate	Over 90/min. @ 12VDC	Over 100/min. @24VDC
Candle Power	100,000	100,000
Input Connections	Red/Positive, Black/Ground	
Leads	#18 Gauge UL listed (SL-126 only)	
Electrical Protection	Reverse polarity protected	
Operating Life	Over 2,000,000 flashes (300 hours continuous)	
Environment	-22° ~140° F (-30° ~60° C)	
Base	High-impact black ABS	
Lens	High-impact resistant acrylic	